

WORKSHOP PRESSES

BETEX WSPE WORKSHOP PRESSES, ELECTRIC, 30 - 300 TON

These electric hydraulic workshop presses are suited for general assembly work, straightening, and for testing a wide range of components.

Unique! You have a choice of two different piston speeds: as soon as the rapidly lowering piston detects counter pressure, it will automatically switch back to a lower speed.

- High quality! The robust steel frame is welded for maximum stability and a long life span.
- Extremely well suited for high-precision work, manual or electric operation.
- Work surface height is easy to adjust.
- Cylinder can be moved horizontally on the upper frame
- Two piston speeds, chrome-plated piston with removable piston head.
- Includes gauge for exact press force readings.
- Joystick for high-precision piston operation.
- Double-acting hand pump (except for 300-ton version) for high-precision piston operation.
- 220V CEE connector to connect a lamp or drill, if required.

Optional:

- Foot pedal (30-300 t)
- Set of V blocks

Betex WSPE60



Dimensions mm	V block 30-60 t	V block 100 t	V block 160 t	V block 200 t
Length	350	440	505	560
Width	60	80	100	60
Height	120	140	170	120
Weight (kg)	15	25	35	50

Models	
WSPE30	30 tons, fixed cylinder, electric and manual operation, 2 speeds
WSPE60	60 tons, moveable cylinder, electric and manual operation, 2 speeds
WSPE100	100 tons, moveable cylinder, electric and manual operation, 2 speeds
WSPE100 D=1500 mm	100 tons, moveable cylinder, electric and manual operation, 2 speeds and extra-wide work surface
WSPE160	160 tons, moveable cylinder, electric and manual operation, 2 speeds
WSPE160 D=1500 mm	160 tons, moveable cylinder, electric and manual operation, 2 speeds and extra wide work surface
WSPE200	200 tons, moveable cylinder, electric and manual operation, 2 speeds
WSPE300 D=1750mm	300 tons, moveable cylinder, electric operation, 2 speeds

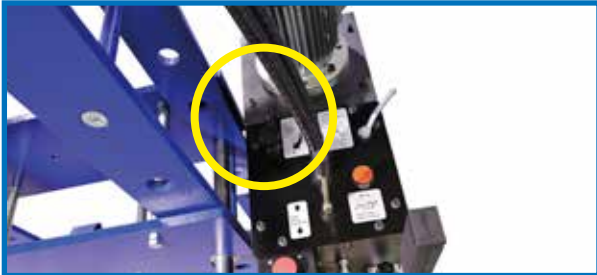
WORKSHOP PRESSES

BETEX WSPE WORKSHOP PRESSES, ELECTRIC, 30 - 300 TON

OPERATION:

Press force regulation:

Regulate the press force using this knob.



Work surface adjustment:

Adjust the work surface height by placing the horseshoe (and the chain) around the piston. The chain is attached to the work table. Use the joystick to raise or lower the work surface, using the pins to lock the work surface in place.



Cylinder position:

Positioning the cylinder is extremely fast (takes under 10 seconds). Move the cylinders to the left or the right by turning the levers and gripping the handle with your hand. Tighten the levers as soon as the cylinder is positioned the way you want it.



Speed:

Unique: WSPE presses offer two operating speeds! At speed 1, the piston will move at ± 2.3 mm/sec. At speed 2, the piston will move at ± 9.5 mm/sec.

As soon as the fast-lowering piston detects counter pressure, it will automatically switch back to the lower speed of 2.3 mm/sec. Exact speeds depend on the type of WSPE press.



Joystick:

Use the joystick to operate the WSPE presses, moving them up or down.



Hand pump:

The hand pump lets you perform high-precision work (in combination with the joystick). Note: the 300-ton press comes with a foot pedal or remote control.

WORKSHOP PRESSES

BETEX WSPE WORKSHOP PRESSES, ELECTRIC, 30 - 300 TON

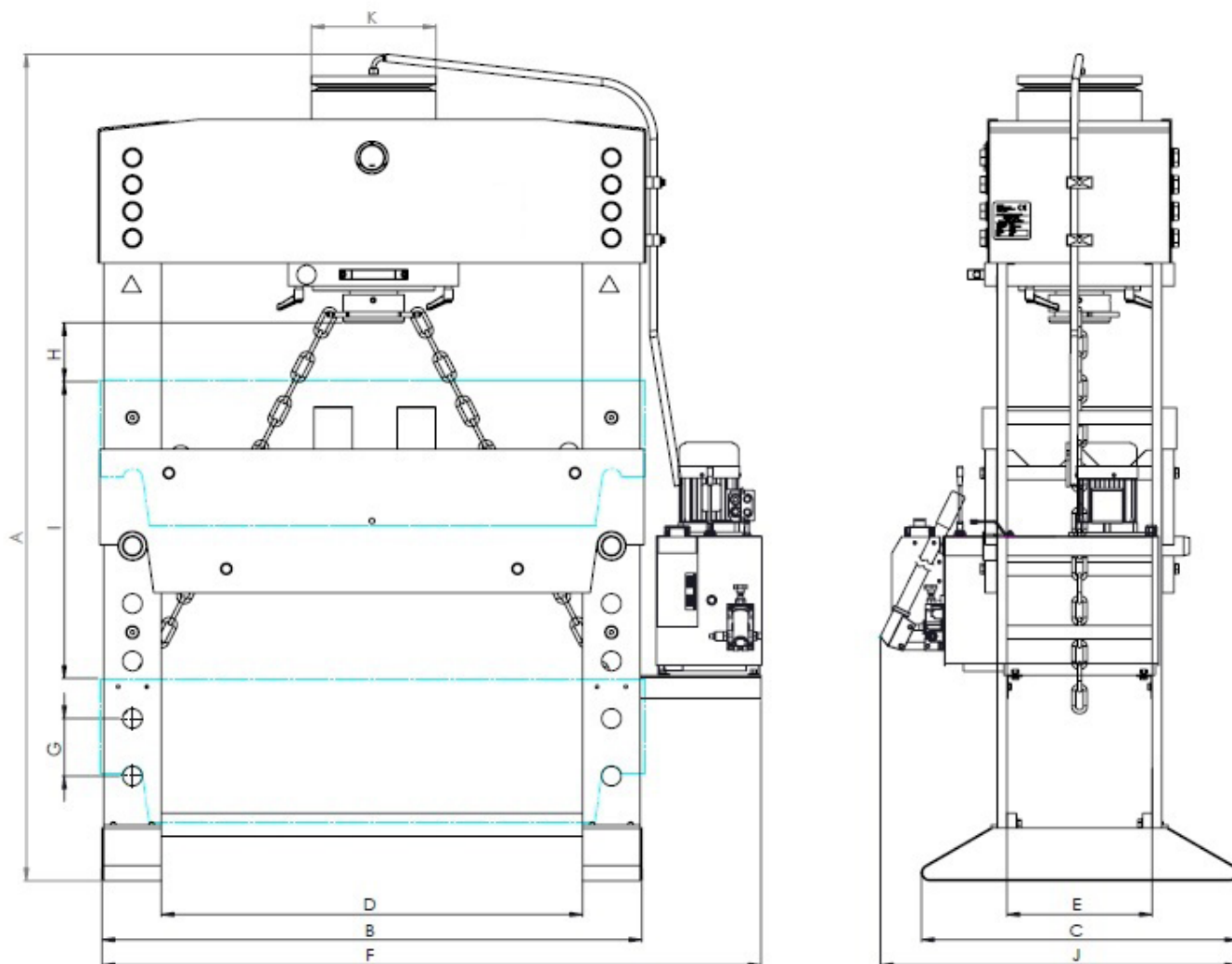


Betex WSPE300 with optional foot pedal

Type		WSPE30 S380 W750	WSPE60 S380 W750	WSPE100 S380 W1100	D=1500 WSPE100 S380 W1500	WSPE160 S400 W1100	D=1500 WSPE160 S400 W1500	WSPE200 S400 W1300	D=1750 WSPE300 S480 W1750
Art. nr. 400 Volt		7513004	7513005	7513006	7513007	7513008	7513009	7513010	7513011
Art. nr. 220 Volt	USA	7513016	7513017	7513018	7513019	7513020	7513021	7513022	7513023
Capacity	ton	30	60	100	100	160	160	200	300
Maximum pressure	Bar	221	259	258	258	255	255	243	260
Cylinder stroke	mm	380	380	380	380	400	400	400	480
Oil delivery	ltr/min	2.82/11.84	2.82/11.84	5.64/17.2	5.64/17.2	7.1/27.6	7.1/27.6	7.1/27.6	12/33
Oil (tank and system) capacity	ltr	37	41	46	46	57	57	64	100
Working speed	mm/sec	3.57	2.07	2.47	2.47	2.40	2.40	1.84	1.80
Approaching speed	mm/sec	9.80	8.69	7.54	7.54	7.48	7.48	5.73	4.9
Return speed	mm/sec	18.11	10.79	9.06	9.06	9.35	9.35	7.08	6.2
Motor	kW	1.5	1.5	2.2	2.2	3	3	3	5.5
Voltage	V/Ph	400/3 220/3	400/3 220/3	400/3 220/3	400/3 220/3	400/3 220/3	400/3 220/3	400/3 220/3	400/3 220/3
Frequency	Hz	50/60	50/60	50/60	50/60	50/60	50/60	50/60	50/60
Nominal torque	rpm	3000	3000	3000	3000	3000	3000	3000	2800
Level of protection	IP	54	54	54	54	54	54	54	54
Safety class	I	I	I	I	I	I	I	I	I
Fixed cylinder		yes	no	no	no	no	no	no	no
Movable cylinder		no	yes	yes	yes	yes	yes	yes	yes
Speeds		2	2	2	2	2	2	2	2
Work surface width	mm	750	750	1100	1500	1100	1500	1300	1750
Weight	kg	385	540	970	1145	1195	1430	1690	3150
Cylinder inner diameter	mm	130	170	220	220	280	280	320	380
Piston rod diameter	mm	55	75	90	90	125	125	140	180
Piston bottom diameter	mm	80	100	120	120	160	160	175	215

WORKSHOP PRESSES

BETEX WSPE WORKSHOP PRESSES, ELECTRIC, 30 - 300 TON



Type		WSPE30 S380 W750	WSPE60 S380 W750	WSPE100 S380 W1100	WSPE100 S380 W1500	WSPE160 S400 W1100	WSPE160 S400 W1500	WSPE200 S400 W1300	WSPE300 S480 W1750
A	mm	2120	2120	2140	2080	2200	2270	2270	2250
B	mm	1000	1000	1350	1750	1410	1810	1610	2120
C	mm	695	695	755	755	825	825	865	985
D	mm	750	750	1100	1500	1100	1500	1300	1750
E	mm	260	260	300	300	380	380	410	500
F	mm	1315	1315	1665	2065	1725	2125	1925	2550
G	mm	150	150	150	150	150	150	150	177
H	mm	200	197	180	130	180	180	180	180
I	mm	750	750	750	750	750	750	750	531
J	mm	805	805	865	865	935	935	975	1085
K	mm	160	200	250	250	325	325	368	420

WORKSHOP PRESSES

BETEX PFPE PORTAL PRESSES, 80 - 300 TON

These robust hydraulic portal presses are made of high-grade steel and extremely suitable for the shaping, straightening, or bending of large sheets and heavy materials.

The frame can be moved lengthwise and the cylinder can be moved sideways, enabling access to the material from all sides.

All portal presses are equipped with a double-acting cylinder with a chrome-plated piston and anti-wear guideways to protect the cylinder. This press bushing has been designed especially so that different attachments can be fitted to it. The piston stroke is easy to set using the dedicated switches.

The two-speed electric hydraulic pump automatically switches to the lower speed when it detects counter pressure. The hydraulic pump is also equipped with a pressure controller and a gauge.

Made of ST-52 3 steel.

PFPE80:

- Frame and cylinder can be adjusted manually.
- Operate the piston using a lever on the electric panel (this panel also includes an emergency stop with interlock).

Options:

- Flat lower table.
- Custom dimensions, versions, and tonnages available on request



Betex PFPE80

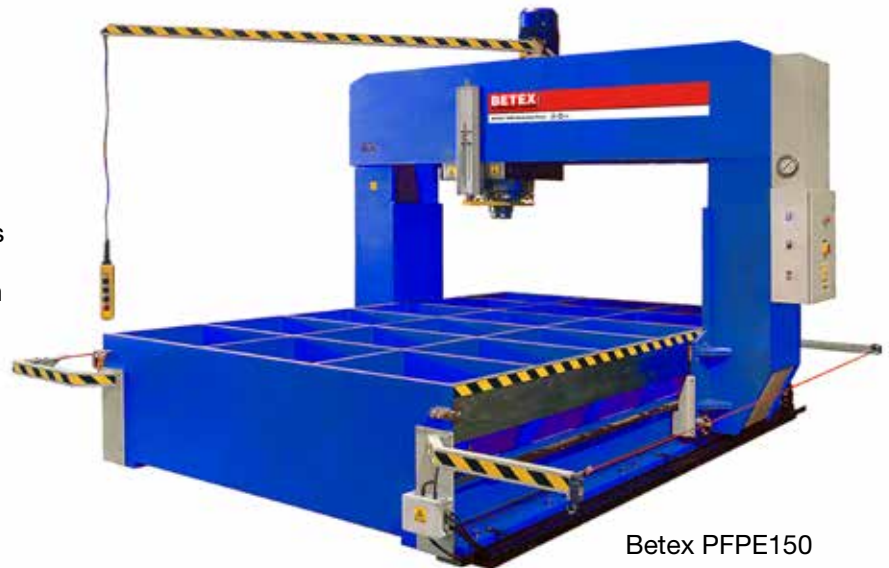
Type		PFPE80 S500 W1050	PFPE150 S450 W1565	PFPE220 S450 W2060	PFPE300 S450 W2560
Art. no.		7513012	7513013	7513014	751305
Press force	ton	80	150	220	300
Motor power	kW	4	4	5,5	7,5
Working speed	mm/sec	3,8	2	2,2	2
Approaching speed	mm/sec	10	9,9	9	9,9
Return speed	mm/sec	17	15,4	16,2	14,7
Maximum pressure	bar	315	315	315	315
Cylinder stroke	mm	500	450	450	450
Work surface dimensions [l x w]	mm	1730 x 1015	3000 x 1550	3500 x 2045	4000 x 2545

WORKSHOP PRESSES

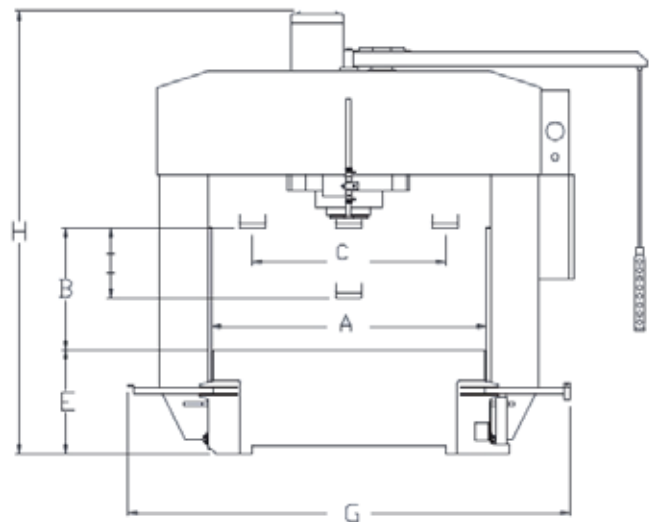
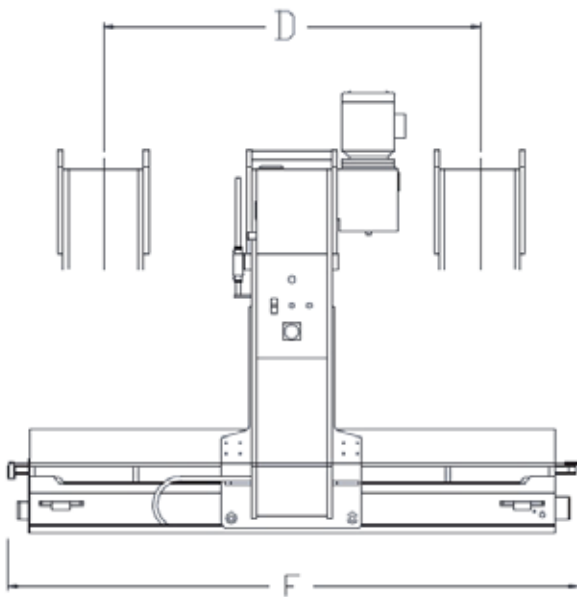
BETEX PFPE PORTAL PRESSES, 80 - 300 TON

PFPE150, PFPE220, and PFPE300:

- Frame and cylinder (double-acting) can be moved using an electric motor. The frame is moved lengthwise by a motor equipped with a frequency controller for highly precise positioning.
- Operate the piston using a “hanging” remote control. The remote control also lets you move the frame and the cylinder. It is also equipped with an emergency stop with interlock. The control panel (on the right side of the machine) includes a switch for the required work type (manual or semi-automatic) and a switch for the required work speed (with 1 or 2 different speeds).



Betex PFPE150



Type		PFPE80	PFPE150	PFPE220	PFPE300
Table size (l x w)	mm	1730 x 1015	3000 x 1550	3500 x 2045	4000 x 2545
A	mm	1050	1565	2060	2560
B	mm	600	700	700	700
C	mm	730	1100	1550	2000
D	mm	1100	2150	2500	3000
E	mm	800	600	700	750
F	mm	1730	3260	3860	4360
G	mm	1726	2520	3430	3930
H	mm	2350	2640	3000	3100
Weight	kg	1240	6500	13000	16000