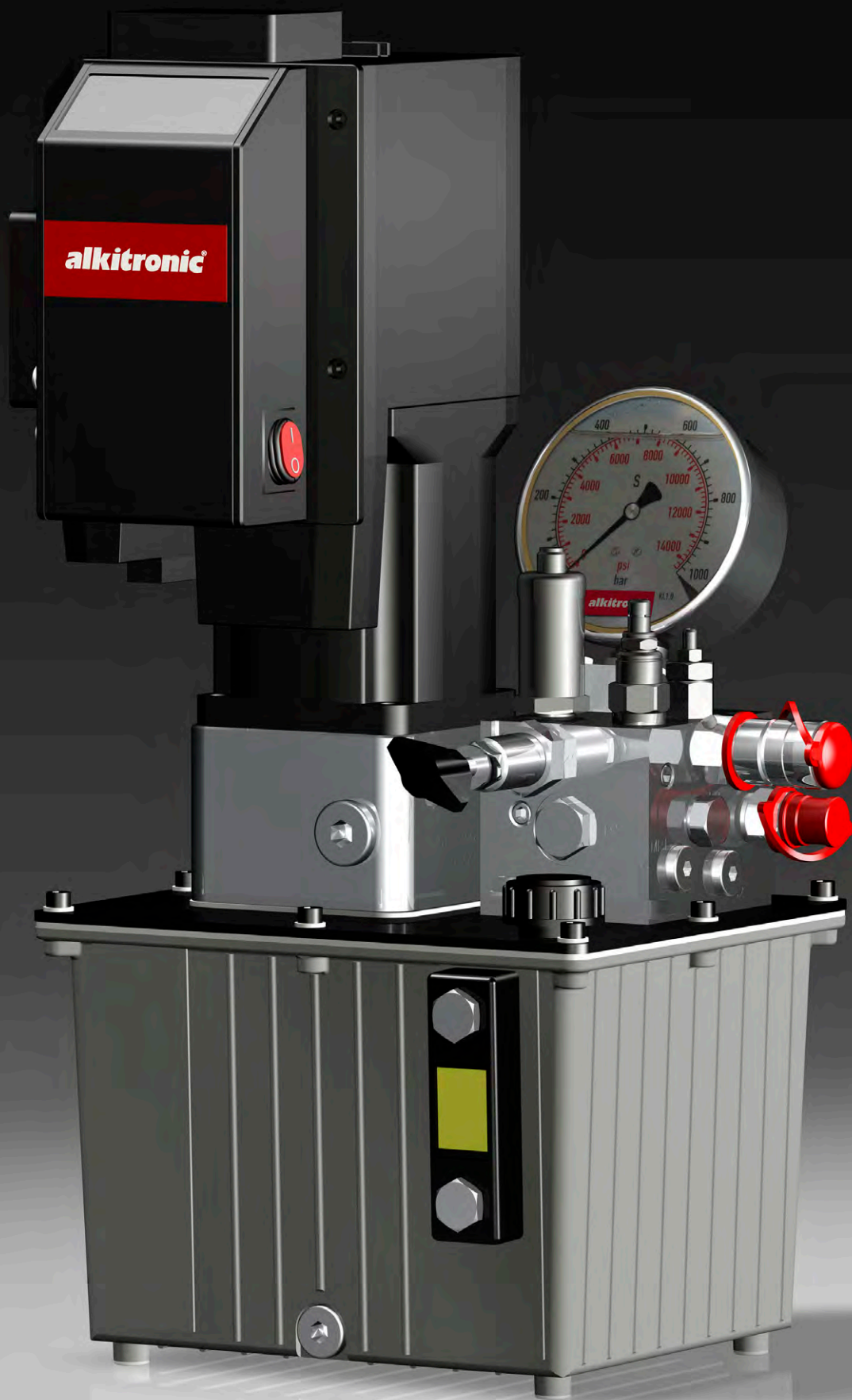


VELOX

Electric
Hydraulic Pump



alkitronic[®]

Applications

- alkitronic® VELOX is a robust, long-life quality product made in Germany.
- This unique electrical hydraulic pump (protection class IP65) is protected against rain, splash water and dust deposit to eliminate costly downtime.
- Its comfortable, one-phase electric power connection is suitable for 110V or 230V main grids and voltage-controlled mobile power units.

Advantages

- High precision** ($\pm 3\%$) through all pressure ranges defined by precisely adapted oil flow rate.
- Air cooling, robust design and low weight.** The housing design ensures optimum heat dissipation.
- Simple operating: one-push-button remote control** for ergonomic, working convenience and distance safety.
- High working speed and short set-up times.** Can connect two hydraulic torque tools to increase productivity and to save time and money.
- Flexible bolting applications.** Compatible with almost all hydraulic torque wrenches, regardless of cylinder size and torque range.

alkitronic® specials

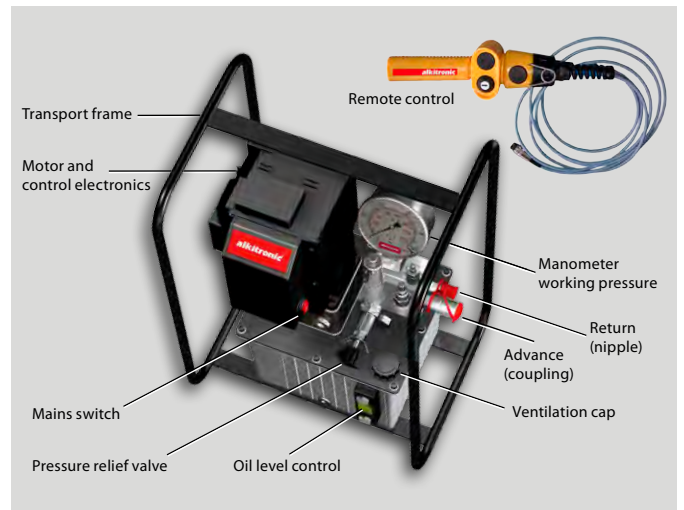
- Low maintenance costs** due to the maintenance-free, low-wear and brushless synchronous motor. No magnetic control valves and therefore no wear.
- Modular construction** for cost-saving upgrade or parts exchange.
- Individual operation** - basic version with manual control.
- Integrated motor protection** to avoid damage due to overload.



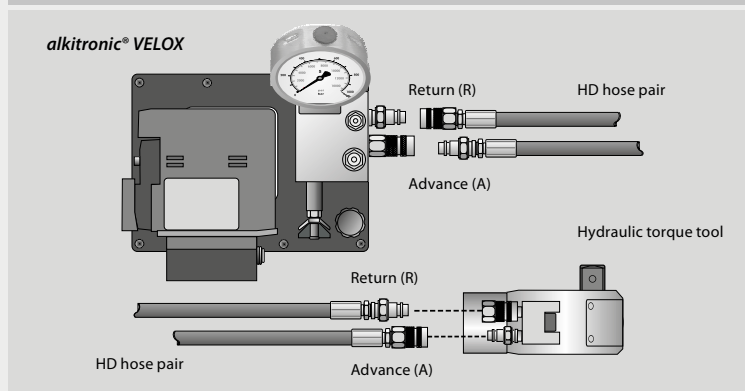
Technical Data

alkitronic® VELOX infinitely adjustable pressure setting up to 700 bar (maximum operating pressure: 700 bar)

Specification	alkitronic® VELOX	VELOX Speed Upgrade
Drive electrical / nominal sensitivity	110/230 V, 50/60 Hz, 1400 W	230 V, 50/60 Hz, 2500 W
Protection class	IP65	IP65
Output low pressure area	6 l/min up to 140 bar	8,5 l/min up to 140 bar
Output high pressure area	0,75 l/min up to 700 bar	1,15 l/min up to 700 bar
Tank capacity	4,0 l	4,0 l
Surrounding temperature	-20 °C up to +50 °C	-20 °C up to +50 °C
Noise emission	< 76 dB(A)	< 76 dB(A)
Weight incl. oil	24 kg	24 kg
Dimensions L x W x H (mm)	360 x 260 x 560	360 x 260 x 560
Dimensions L x W x H (mm) with transport frame	390 x 310 x 570	390 x 310 x 570



Compatible: Diagram of hydraulic hose connection



Included in the scope of delivery: hydraulic hoses, 5 m long (DN 6)

Hydraulic torque wrench alkitronic® AT



We recommend our hydraulic torque wrenches for secure and reliable tightening or loosening of heavy bolt connections.

alkitronic®

TORQUE POWER WORLDWIDE

alkitronic® products
Made in Germany by
alki TECHNIK GmbH

Development, Production and
Distribution of Bolting Systems

Unterlettenweg 4
D-85051 Ingolstadt
Germany

fon +49 841 97499-0
fax +49 841 97499-90

info@alkitronic.com
www.alkitronic.com